

FESTIVE Stoles

and BLOUSES



THE LOVELINESS OF *Lace*

For hundreds of years, women in all parts of the world have realized the seductive charm lent by lace. Cleopatra decked herself in filmy veils; Spanish señoritas crowned themselves with beautiful mantillas; and every queen in civilization's history has had lavish lace-trimmed gowns.

Here are fashion's newest laces for you to weave and wear—dainty crocheted blouses and gossamer snuggle-stoles, designed to make *you* look lovelier in lace!

NEW!

J. & P. COATS RAYON CROCHET

with a Brilliant Luster!

Here is a thread with the beautiful sheen and high gloss that you want in glamorous blouses and accessories. In fashion's favorite colors, J. & P. Coats Rayon Crochet is equally attractive worked alone or combined with Chadwick's Red Heart cloud-soft yarns. Whether you prefer to knit or crochet, you'll find the thread for the new "shimmering" finish is J. & P. Coats Rayon Crochet—the thread with the brilliant luster.

The thread or yarn that you need, with the wearability and washability that you require, is among these famous names:

Chadwick's Red Heart Sock and Sweater Yarn—interchangeable with Chadwick's Red Heart Nylon—Chadwick's Red Heart Knitting Worsted—J. & P. Coats Best Six Cord Mercerized Crochet—Clark's Mercerized Crochet—J. & P. Coats "Knit-Cro-Sheen."



Stoles Steal the Show

Cross Stitch Stoles to Knit or Crochet . . . directions on page 4



If desired, CHADWICK'S RED HEART NYLON in your choice of color may be used instead of CHADWICK'S RED HEART COTTON. 20.04

Lucille C-158 20 x 72 inches (excluding fringe)

Illustrated in color on page 3

Materials: CHADWICK'S RED HEART SOCK AND SWEATER YARN, 3 Ply, SHRINK-AND-STRETCH RESIST FINISH, Art. E.255: 12 skeins (1 oz. "Tangle-Proof" Pull-Out Skeins) of No. 1 White; and J. & P. COATS RAYON CROCHET, Art. A.73: 7 balls of No. 303 Baby Blue . . . Clark's O.N.T. Plastic Crochet Hook No. 8.

GAUGE: 1 crossed tr group makes 1 inch; 1 tr row makes 1 inch.

Starting at narrow end with White, make a chain 25 inches long. **1st row:** Sc in 2nd ch from hook and in each ch across until row measures 20 inches, having a number of sc divisible by 6 and 2 more at end of row. Cut off remaining chain. Ch 4, turn. **2nd row:** Skip first sc, * skip next 3 sc, tr in next 3 sc, then, working loosely over 3 tr just made, make tr in 3 sc skipped. Repeat from * across, tr in last sc, drop White, do not turn. **3rd row:** Attach Blue to top of turning chain at beginning of row, ch 3, dc in each tr across, drop

Blue, pick up White. Ch 1, turn. **4th row:** Sc in each dc across, sc in top of turning chain. Ch 4, turn. **5th row:** Repeat 2nd row. Pick up Blue. Ch 3, turn. **6th row:** Skip first tr, dc in each tr across, dc in top of turning chain, drop Blue, pick up White, do not turn. **7th row:** Sc in top of turning chain, sc in each dc across. Ch 4, turn. Repeat 2nd to 7th rows incl until piece measures 72 inches. Break off.

FRINGE . . . Cut 12 strands each of yarn and Rayon, each 12 inches long. Make fringe in each sp across on both short sides. See page 15.



Laurie C-159 20 x 72 inches (excluding fringe)

Illustrated in color on page 3

Materials: CHADWICK'S RED HEART KNITTING WORSTED, 4 Ply, Art. E.232: 16 skeins (1 oz. "Tangle-Proof" Pull-Out Skeins) of No. 789 Bittersweet . . . Milwards "Phantom" Aluminum Knitting Pins or Clark's O.N.T. Plastic Knitting Pins, 1 pair No. 8 (5 mm. size).

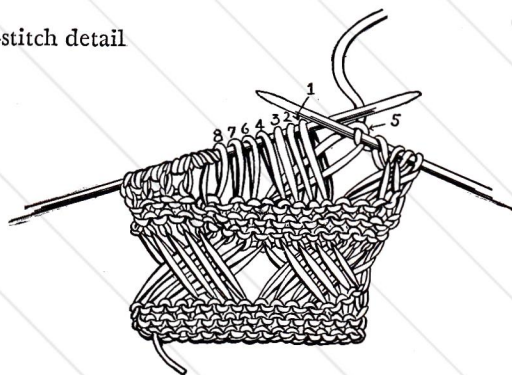
GAUGE: 4 1/2 sts make 1 inch; 9 rows make 2 inches.

Starting at narrow end, cast on 88 sts. Work in pattern as follows: **1st to 4th rows incl:** K across. **5th row:** K 1, * yarn over needle 4 times, k 1. Repeat from * across. **6th row:** (Slip 1 st as if to purl, slip the 4 yarn overs off needle—one long stitch made) 7 times; slip 1 st as if to purl. Slip the 8 long sts just made back onto the left-hand needle. Insert right-hand needle through first 4 long sts as if to purl, knit the 5th (A), 6th, 7th and 8th long stitches, then knit the first, 2nd, 3rd and 4th long stitches, slip the 5th, 6th, 7th and 8th long sts off the needle (a cross-stitch group completed); * (slip the 4 yarn overs off needle, slip 1 st as if to purl) 8 times; make a cross-stitch group. Repeat from * across. **7th to 10th rows incl:** Repeat first to 4th rows incl. **11th row:** Repeat 5th row. **12th row:** (Slip 1 st as if to purl, slip the 4 yarn overs off needle) 3 times; slip 1 st as if to purl. Slip the 4 long sts just made back onto the left-hand needle. Insert right-hand needle through the first 2 long sts, knit the 3rd and 4th long stitches, then knit the first and 2nd long sts, slip the 3rd and 4th long sts off the needle (half cross-stitch group completed), * (slip the

4 yarn overs off needle, slip 1 st as if to purl) 8 times; make a cross-stitch group. Repeat from * across, ending with a half cross-stitch group. The last 12 rows constitute the pattern. Work in pattern until piece measures 72 inches stretched, ending with 10th row of pattern. Bind off.

FRINGE . . . Cut 12 strands of yarn, each 20 inches long. Make a fringe in each sp across both short sides. See page 15.

A—stitch detail



Irene

S-382

Sizes 14, 16 and 18

Illustrated in Color on Front Cover

Materials: J. & P. COATS RAYON CROCHET, Art. A.73: 10 balls of No. 12 Black for Size 14; 11 balls for Size 16 and 12 balls for Size 18 . . . **Milwards Steel Crochet Hooks** No. 7 and No. 9 . . . 1 yard of round black elastic.

GAUGE: No. 7 Hook—10 dc make 1 inch; 4 rows make 1 inch. No. 9 Hook—12 dc make 1 inch; 9 rows make 2 inches.

BLOCKING MEASUREMENTS:

Sizes	14	16	18
Bust	34"	36"	38"
Width across front or back at underarm	17"	18"	19"
Length of side seam	12"	12½"	13"

Directions are for Size 14. Changes for Sizes 16 and 18 are in parentheses.

BODICE—Back . . . Starting at lower edge with No. 7 hook make a chain 19 (20-21) inches long. **1st row:** Dc in 4th ch from hook and in each ch across, until row measures 16½ (17½-18½) inches (having an uneven number of dc). Cut off remaining chain. Ch 3,

turn. **2nd row:** Skip first dc, * dc in back loop of next dc, dc in front loop of next dc. Repeat from * across, ending with dc in back loop of last dc, dc in top of turning chain. Ch 3, turn. Repeat last row until piece measures 3 inches.

To Shape Waist: Change to No. 9 hook and continue to work in pattern until piece measures 6 inches in all. With No. 7 hook continue to work in pattern until piece measures 12 (12½-13) inches in all. Ch 1, turn.

To Shape Armholes: **1st row:** Sl st in first 5 dc, * dc in back loop of next dc, dc in front loop of next dc. Repeat from * across, ending with dc in back loop of 6th st from end of row (5 sts decreased at each end of row). Ch 1, turn. **2nd row:** Sl st in first 5 dc, * dc in back loop of next dc, dc in front loop of next dc. Repeat from * across, ending with dc in 6th dc from end of row. Ch 1, turn. Repeat last row 2 (2-3) more times. Break off.

Continued on page 12



Phyllis C-157

20 x 72 inches (excluding fringe)

Illustrated in Color on Front Cover

Materials: CHADWICK'S RED HEART SOCK AND SWEATER YARN, 3 Ply, SHRINK-AND-STRETCH RESIST FINISH, Art. E.255: 8 skeins (1 oz. "Tangle-Proof" Pull-Out Skeins) of No. 491 Pearl Grey; and J. & P. COATS RAYON CROCHET, Art. A.73: 10 balls of No. 1 White . . . Clark's O.N.T. Plastic Crochet Hook No. 8.

GAUGE: 3 shells and 3 knots make 4 inches; 3 shell rows make 2 inches.

Starting at narrow end with one strand each of Sock and Sweater Yarn and Rayon Crochet, make a chain 30 inches long. **1st row:** 2 dc in the 4th ch from hook, * draw loop on hook out to measure ¾ inch, thread over and draw loop through, insert hook between single and double strands and draw a loop through, thread over and draw through 2 loops on hook (knot st made), skip 4 ch, 3 dc in next ch (shell made). Repeat from * across, until row measures 22

inches, ending with 3 dc. Cut off remaining chain. Turn. **2nd row:** Sl st to center dc of first shell, ch 3, 2 dc in same place, * make a knot st, shell in center dc of next shell. Repeat from * across. Repeat 2nd row until piece measures 65 inches long, or length desired. Turn. **Next row:** Sl st in center dc, * ch 5, sc in center dc of next shell. Repeat from * across. Break off.

FRINGE . . . Cut 25 strands of yarn and 25 strands of Rayon, each 18 inches long. Make a fringe in each loop across both short sides. See page 15.

Sheila C-160 27 x 72 inches (excluding fringe)

Illustrated in Color on Page 7

Materials: CHADWICK'S RED HEART SOCK AND SWEATER YARN, 3 Ply, SHRINK-AND-STRETCH RESIST FINISH, Art. E.255: 6 skeins (1 oz. "Tangle-Proof" Pull-Out Skeins) of No. 405 Oxford and 4 skeins of No. 491 Pearl Grey . . . Milward's "Phantom" Aluminum Knitting Pins or Clark's O.N.T. Plastic Knitting Pins, 1 pair No. 3 (3 mm. size).

GAUGE: 5 pattern sts make 1 inch; 10 rows make 1 inch.

Starting at narrow end with Pearl Grey, cast on 135 sts. **1st to 4th rows incl:** Work in stockinette st (k 1 row, p 1 row). Drop Pearl Grey. **5th to 8th rows incl:** Attach Oxford and p 1 row, k 1 row alternately (stockinette st reversed). Drop Oxford, pick up Pearl Grey. The last 8 rows constitute pattern. Work in pattern until piece measures 72 inches stretched, ending to correspond with beginning. Break off, leaving a

60-inch length of yarn. **Next row:** * Bind off 3 sts, slip yarn through st on right hand needle, drop next 2 sts, leave one inch of yarn free over the dropped sts. Repeat from * across. Stretch stole so that the dropped sts will ravel down to the beginning. Block to measurements.

FRINGE . . . Cut 12 strands of Oxford each 12 inches long. Make a fringe in center of each group of knit sts on both short sides. See page 15.



Barbara C-161 24 x 72 inches (excluding fringe)

Illustrated in Color on Page 7

Materials: CHADWICK'S RED HEART SOCK AND SWEATER YARN, 3 Ply, SHRINK-AND-STRETCH RESIST FINISH, Art. E.255: 12 skeins (1 oz. "Tangle-Proof" Pull-Out Skeins) of No. 570 Orchid; and J. & P. COATS RAYON CROCHET, Art. A.73: 16 balls of No. 603 Orchid . . . Clark's O.N.T. Plastic Crochet Hook No. 8.

make dc in next two ch-2 sps, thread over and draw through all loops on hook (joint-dc made), ch 3. Repeat from * across one side, ending with dc in 3rd sp of last motif. Break off.

Complete other side of strip in same manner.

SECOND STRIP . . . Work as for First Strip, omitting edging on both sides.

Joining of Strips: With right side facing, attach yarn to 3rd ch-2 sp preceding first sc on Second Strip, ch 4, sl st in last sp made on First Strip, * ch 1, dc in next sp on Second Strip, ch 1, sl st in corresponding sp on First Strip, ch 1, make a joint dc over next 2 sps on Second Strip, ch 1, sl st in corresponding loop on First Strip. Repeat from * across, ending with dc in 3rd loop on last motif. Break off. Work Edging across opposite side as before. Make another strip as for Second Strip, joining as Second Strip was joined to First Strip. Complete as for Second Strip. Continue to work in this manner until piece is 24 inches wide.

FRINGE . . . Cut 10 strands each of yarn and Rayon, each 15 inches long. Make a fringe in each loop across both short sides. See page 15.

GAUGE: Each complete strip measures 2½ x 72 inches.

Use one strand each of Sock and Sweater Yarn and Rayon Crochet throughout.

FIRST STRIP . . . Ch 5, tr in 5th ch from hook, * ch 3, dc in top of previous tr, ch 4, tr in top of dc. Repeat from * across, until there are 16 tr-loops and 15 dc-loops. **1st rnd:** Ch 3, dc in first loop, (ch 2, holding back on hook the last loop of each dc, make 2 dc in same loop, thread over and draw through all loops on hook—cluster made) 3 times; * sc in next loop, in next loop make (cluster, ch 2) 3 times and cluster. Repeat from * across. Now work along opposite side as follows: Ch 2, in first loop make (cluster, ch 2) 3 times and cluster; sc in next loop. Complete as for other side, ending with ch 2. Join to top of ch-3. Break off.

EDGING . . . With right side facing, attach yarn to 3rd ch-2 sp preceding first sc, ch 6, * dc in next sp, ch 3, holding back on hook the last loop of each dc,

The Talk of the Town

Stoles to wear from nine to
five . . . directions opposite



Magic in the Moonlight

Crochet—for important evenings



Elaine S-383 (blouse above left) . . . Esther S-384 (dress above right) . . . Directions on Page 10

Directions for Velveteen Stole on Page 15

Denise S-385 (blouse at right)

Directions on Page 13

Joyce C-162 (stole below)

Directions on Page 12



Rose S-386 (blouse at right)

Directions on Page 11



Esther S-384

Sizes 12, 14 and 16

Illustrated in Color on Page 8

Materials: J. & P. COATS BEST SIX CORD MERCERIZED CROCHET, Art. A.104, Size 30: 24 balls of White or Ecru for Size 12; 26 balls for Size 14 and 28 balls for Size 16; or

CLARK'S BIG BALL MERCERIZED CROCHET, Art. B.34, Size 30: 17 balls of White or Ecru for Size 12; 18 balls for Size 14 and 19 balls for Size 16 . . . Milwards Steel Crochet Hook No. 10 . . . Crown Zipper (dress placket) 12 inches long, Art. F.2 . . . 1 yard of matching seam binding . . . 2 yards of red satin ribbon, 1 inch wide . . . 2 hooks and eyes.

GAUGE: Each motif measures $1\frac{1}{4}$ inches square.

BLOCKING MEASUREMENTS:

Sizes	12	14	16
Bust	32"	34"	36"
Width across back or front at underarm	16"	17"	18"
Length of side seam	10"	10"	11 $\frac{1}{4}$ "
Length of skirt from waist to lower edge	30"	30"	31 $\frac{1}{4}$ "

FIRST MOTIF . . . Starting at center, ch 10. Join with sl st to form ring. **1st rnd:** Ch 3, 23 dc in ring. Join with sl st to top of ch-3. **2nd rnd:** Sc in same place as sl st, * ch 3, skip 1 dc, sc in next dc. Repeat from * around. Join. **3rd rnd:** Sl st to center of next loop, ch 3, dc in same loop, * ch 5, holding back on hook the last loop of each tr make 2 tr in next loop, thread over and draw through all loops on hook (cluster made), ch 5, make a tr-cluster in same loop, (ch 5, make a 2-dc cluster in next loop) twice. Repeat from * around. Join and break off. *Continued on page 15*

Elaine S-383

Sizes 12, 14 and 16

Illustrated in Color on Page 8

Materials: CHADWICK'S RED HEART SOCK AND SWEATER YARN, 3 Ply, SHRINK-AND-STRETCH RESIST FINISH, Art. E.255: 4 skeins (1 oz. "Tangle-Proof" Pull-Out Skeins) of No. 12 Black; and J. & P. COATS RAYON CROCHET, Art. A.73: 3 balls of No. 1 White . . . Milwards Steel Crochet Hook No. 3 . . . A piece of round black elastic . . . 1 yard black elastic, $\frac{3}{4}$ inch wide . . . 3 snap fasteners . . . 2 hooks and eyes.



GAUGE: Each motif measures $1\frac{1}{2}$ inches square.

BLOCKING MEASUREMENTS:

Sizes	12	14	16
Bust	32"	34"	36"
Width across front or back at underarm	16"	17"	18"
Length of side seam (including band)	11"	11"	12 $\frac{1}{2}$ "

BODICE—Motif . . . Starting at center with Rayon Crochet, ch 7. Join with sl st to form ring. **1st rnd:** Ch 2, 12 half dc in ring. Join to first half dc. **2nd rnd:** 2 sc in each half dc around (24 sc). Join and break off. **3rd rnd:** Attach Black to any sc, ch 4, 2 tr in same sc, * dc in next 2 sc, half dc in next sc, dc in next 2 sc, 3 tr in next sc. Repeat from * around. Join and break off.

Make 7 rows of 22 motifs for Size 12; 7 rows of 23 motifs for Size 14 and 8 rows of 24 motifs for Size 16.

Sew motifs together, joining last motif on each row to first motif on same row and leaving 3 motifs free for placket. Cut round elastic slightly smaller than bust measurement. Sew ends together. Place elastic at top of Bodice and, working over elastic with Black, sc closely around top. Join and break off.

SHOULDER STRAP (Make 2) . . . Make a row of 8 motifs for Sizes 12 and 14 and 9 motifs for Size 16. Sew motifs together. Sew Straps in place.

Attach yarn to front at placket opening and sc closely around bottom and placket. Join.

BAND . . . Ch 6, * skip 1 sc, d tr in next sc, ch 1. Repeat from * across bottom, ending with d tr. Break off.

Lace elastic through ch-1 sps. Sew ends securely. Sew snap fasteners to opening and hooks and eyes to band. Block to measurements.

Rose S-386

Sizes 12, 14 and 16

Illustrated in Color on Page 9



Materials: J. & P. COATS RAYON CROCHET, Art. A.73: 20 balls of No. 403 Baby Pink for Size 12; 24 balls for Size 14 and 28 balls for Size 16 . . . Milwards Steel Crochet Hooks No. 7 and No. 9 . . . Crown Zipper 9 inches long, Art. F.1.

GAUGE: No. 7 Hook—2 sc and 2 shells make $1\frac{1}{4}$ inches; 3 shell rows make $1\frac{1}{4}$ inches. No. 9 Hook—2 shells and 2 sc make 1 inch; 3 shell rows make 1 inch.

BLOCKING MEASUREMENTS:

Sizes	12	14	16
Bust	32"	34"	36"
Width across front or back at underarm	16"	17"	18"
Length of side seam	11"	12"	12½"
Length from shoulder to lower edge	22"	23"	24"
Length of sleeve seam	11"	11"	11"

Directions are for Size 12. Changes for Sizes 14 and 16 are in parentheses.

BACK . . . Starting at lower edge with No. 7 hook, make a chain 22 (23-24) inches long. **1st row:** Sc in 2nd ch from hook, * skip next 3 ch, 5 dc in next ch (shell made), skip next 3 ch, sc in next ch. Repeat from * across, until row measures 16½ (17½-18½) inches, ending with sc. Cut off remaining chain. Ch 3, turn. **2nd row:** 2 dc in first sc (half shell made), * sc in center dc of next shell, shell in next sc. Repeat from * across, ending with 3 dc in last sc (another half shell). Ch 1, turn. **3rd row:** Sc in first dc, * shell in next sc, sc in center dc of next shell. Repeat from * across, ending with sc in top of turning chain. Ch 3, turn. Repeat 2nd and 3rd rows alternately until piece measures 4½ (5-5½) inches.

To Shape Waist: Change to No. 9 hook and continue working in pattern until piece measures 8½ (9-9½) inches in all.

Using No. 7 hook, continue working in pattern until piece measures 11 (12-12½) inches in all, ending with 3rd row. Ch 11, turn.

Now shape sleeves as follows: **1st row:** 2 dc in 4th ch from hook, skip next 3 ch, sc in next ch, * 5 dc shell in next sc, sc in center dc of next shell. Repeat from * across, ending with half shell in last sc. Ch 9, turn. **2nd row:** Sc in 2nd ch from hook, skip next 3 ch, shell in next ch, sc in first dc of half shell, * shell in next

sc, sc in center of next shell. Repeat from * across, ending with sc in top of turning chain. Ch 11, turn. Repeat first and 2nd rows until piece measures 13 (13-14) inches in all, ending with the 2nd row. Ch 27, turn. **Next row:** 2 dc in 4th ch from hook, (skip next 3 ch, sc in next ch, skip next 3 ch, shell in next ch) twice; skip next 3 ch, sc in next ch, shell in next sc and continue across in pattern, ending with half shell in last sc. Ch 25, turn. **Following row:** Sc in 2nd ch from hook, (skip next 3 ch, shell in next ch, skip next 3 ch, sc in next ch) twice; skip next 3 ch, shell in next ch, sc in first dc of half shell and continue in pattern across, ending with sc in top of turning chain. Ch 27, turn. Repeat last 2 rows 4 more times. Ch 3 at end of last row. Turn. Work in pattern without increasing until piece measures 17 (17½-18) inches from lower edge.

To Shape Neck: Mark center shell with a pin. **1st row:** Work in pattern across, ending with sc in center dc of shell marked. Ch 3, turn. **2nd row:** 2 dc in first sc, sc in center of next shell, continue to work in pattern across. **3rd row:** Work in pattern across, ending with sc in top of turning chain. Ch 1, turn. **4th row:** Sl st in first 2 dc, sc in next dc, shell in next sc and work in pattern across. **5th row:** Work in pattern across, ending with sc in center dc of last shell. Ch 3, turn. Repeat 2nd to 5th rows incl until sleeve edge measures 5 (5¼-5½) inches, ending row at neck edge.

To Shape Shoulder: **1st row:** Work in pattern across, ending with sc in 3rd shell from end of row. Ch 1, turn. **2nd row:** Sl st to center of first shell, sc in same place, shell in next sc, sc in center of next shell and work in pattern across, decreasing at neck as before. Repeat first and 2nd rows 5 more times.

Now dec only at neck edge until piece measures 22 (23-24) inches in all from lower edge. Break off.

Attach thread to center dc on first row of neck shaping and work other shoulder and sleeve the same way.

FRONT . . . Work exactly as for Back.

Sew up shoulder, sleeve and side seams, leaving opening on left side for zipper. Sew in zipper. Block to measurements.

Joyce

C-162

20 x 67 inches (excluding fringe)

Illustrated in Color on Page 9

Materials: CHADWICK'S RED HEART SOCK AND SWEATER YARN, 3 Ply, SHRINK-AND-STRETCH RESIST FINISH, Art. E.255: 12 skeins (1 oz. "Tangle-Proof" Pull-Out Skeins) of No. 909 Scarlet . . . Clark's O.N.T. Plastic Crochet Hook No. 7.

GAUGE: Each shell makes $\frac{3}{4}$ inch; 1 shell row makes 1 inch.

Starting at neck edge, make a chain 85 inches long. **1st row:** 3 tr in 5th from hook, * skip 3 ch, sc in next ch, ch 4, 3 tr in same ch (shell made). Repeat from * across until there are 44 shells on row, skip 3 ch, in next ch make sc, ch 4, 3 tr, ch 3, 3 tr, ch 4 and sc (center shells); ** skip 3 ch, 3 tr in next ch, ch 4, sc in same ch. Repeat from ** until 43 more shells have been completed, skip 3 ch, make 4 tr in next ch. Cut off remaining chain. Ch 1, turn. **2nd row:** Sc in first tr, * ch 4, sc over ch-4 bar of next shell. Repeat from * across to center, ending with sc over ch-4 bar of first center shell, ch 4, sc in ch-3 sp, ch 4, sc over ch-4 bar of next shell and continue in pattern across. Ch 4, turn. **3rd row:** 3 tr in first sc, * sc in next sc, ch 4, 3 tr in next sc. Repeat from * across to center, ending with sc in center sc, ** 3 tr in next sc, ch 4, sc in same sc. Repeat from ** across,

ending with 4 tr in last sc. Ch 1, turn. **4th row:** Sc in first tr, * ch 4, sc over ch-4 bar of next shell. Repeat from * across to center, ending with sc in center sc, ch 4, sc over ch-4 bar of next shell and continue to work across in pattern. Ch 4, turn. **5th and 6th rows:** Repeat 3rd and 4th rows. **7th row:** Work as for 3rd row to center, ending with sc in center sc, in same sc make ch 4, 3 tr, ch 3, 3 tr, ch 4 and sc; 3 tr in next sc, ch 4, sc in same sc and continue in pattern across. Repeat 2nd to 7th rows incl until stole is 20 inches wide. Break off.

FRINGE . . . Cut 12 strands of yarn, each 8 inches long. Make a fringe in each sp across short sides and across outer edge. See page 15.



Irene

S-382

Continued from page 5

FRONT . . . Starting at lower edge with No. 7 hook, make a chain 21 (22-23) inches long. **1st row:** Work as for first row of Back until row measures $18\frac{1}{2}$ ($19\frac{1}{2}$ - $20\frac{1}{2}$) inches. Cut off remaining chain. Ch 3, turn. Work as for Back until piece measures 11 ($11\frac{1}{2}$ -12) inches. Ch 3, turn.

Now work neck shaping as follows: **1st row:** Skip first dc, * dc in back loop of next dc, dc in front loop of next dc. Repeat from * across for 7 inches, ending with dc in back loop. Continuing to work in front and back loops alternately, make half dc in next 2 dc, sc in next 2 dc. Ch 1, turn. **2nd row:** Sl st across first 4 sts, sc in back loop of next dc, sc in front loop of next dc, half dc in back loop of next dc, half dc in front loop of next dc and, continuing to work in back and front loops alternately, dc in each dc across, dc in top of turning chain. Ch 3, turn. **3rd row:** Skip first dc, * dc in back loop of next dc, dc in front loop of next dc. Repeat from * across to within last 4 dc, half dc in next 2 dc, sc in next 2 dc. Ch 1, turn.

Continue to shape neck, working 4 (4-5) more rows in pattern, at the same time decreasing 5 sts on each row at armhole edge as for Back. Break off.

Attach thread 7 inches from other edge and, working alternately in back and front loops, sc in first 2 dc, half dc in next 2 dc, dc in each dc across and in top of turning chain. Ch 3, turn.

Complete neck and armhole shaping as for other side, reversing shapings. Break off.

YOKE . . . Starting at top, make a chain 36 (37-38) inches long. Join, being careful not to twist. **1st rnd:** Sc in same place as sl st, * ch 3, skip 2 ch, sc in next ch. Repeat from * around. Join to first sc. **2nd and 3rd rnds:** Sl st in next loop, sc in same loop, * ch 3, sc in next loop. Repeat from * around. Join. **4th rnd:** Sl st in next loop, ch 3, 2 dc in same loop, * ch 1, 3 dc in next loop. Repeat from * around, ending with ch 1. Join to top of ch-3. **5th rnd:** Sc back into last ch-1 sp, * ch 3, sc in next sp. Repeat from * around. Join. **6th to 13th rnds incl:** Repeat 2nd to 5th rnds incl two more times. **14th rnd:** Repeat 2nd rnd, increasing 6 loops evenly around—to inc 1 loop, ch 3, sc in next sc, ch 3, sc in next loop. **15th, 16th and 17th rnds:** Repeat 3rd, 4th and 5th rnds. **18th to 25th rnds incl:** Repeat 14th to 17th rnds incl. **26th and 27th rnds:** Repeat 2nd rnd. Turn at end of 27th rnd. **28th rnd:** 4 sc in first loop, ch 4, thread over, insert hook in 4th ch from hook, draw loop

Continued on page 13

Denise S-385

Sizes 12, 14 and 16

Illustrated in Color on Page 9

Materials: J. & P. COATS BEST SIX CORD MERCERIZED CROCHET, Art. A.104, Size 30: 5 balls of White for Size 12; 6 balls for Sizes 14 and 16; or

CLARK'S BIG BALL MERCERIZED CROCHET, Art. B.34, Size 30: 4 balls of White for Size 12 and 5 balls for Sizes 14 and 16; and J. & P. COATS RAYON CROCHET, Art. A.73: 8 balls of No. 1 White for Size 12; 10 balls for Size 14 and 12 balls for Size 16 . . . Milwards Steel Crochet Hook No. 3 . . . 3 yards white taffeta binding . . . 1 yard white elastic, ¾ inch wide . . . 3 small snap fasteners . . . 2 hooks and eyes.



Use one strand each of Size 30 and Rayon Crochet throughout.

GAUGE: 1 shell and 2 sc make 1¼ inches; 2 shell rows make 1 inch.

BLOCKING MEASUREMENTS:

Sizes	12	14	16
Bust	33"	35"	37"
Width across back or front at underarm	16½"	17½"	18½"
Length from shoulder to lower edge (including band)	17½"	17½"	18½"
Length of side seam (including band)	10"	10"	10½"

Directions are for Size 12. Changes for Sizes 14 and 16 are in parentheses.

BACK . . . Starting at bottom make a chain 30 inches long. **1st row:** In 5th ch from hook make dc, ch 1 and dc (half shell made), * ch 1, skip 3 ch, sc in next ch, ch 1, skip 3 ch, in next ch make (dc, ch 1) 3 times and dc (shell made). Repeat from * across until row measures 16½ (17½-18½) inches, ending with an sc. Cut off remaining chain. Ch 4, turn. **2nd row:** In first sc make dc, ch 1 and dc; * ch 1, sc in center sp of next shell, ch 1, shell in next sc. Repeat from * across, ending with sc in last sp. Ch 4, turn. **3rd row:** Working over first sc and into same sp as sc, make dc, ch 1 and dc; * ch 1, sc in center sp of next shell, ch 1, working over next sc, make a shell in same sp as sc. Repeat from * across, ending with sc in last sp. Ch 4, turn. Repeat 3rd row until piece measures 9 (9-9½) inches. Ch 3, turn at end of last row.

To Shape Armholes: Sc in center sp of next shell, work in pattern across, ending with sc in center sp of last complete shell. Ch 3, turn. Repeat last row 2 more times. Ch 4, turn at end of last row. **Next row:** In same sp as first sc make dc, ch 1 and dc; ch 1 and work in pattern across, ending with sc in center sp of last complete shell. Ch 4, turn.

To Shape Neck: 1st row: Work in pattern across to center shell of last row. Ch 3, turn. **2nd row:** Sc in center sp of next shell, and work in pattern across, ending with sc in last sp. Ch 4, turn. **3rd row:** In same sp as first sc, make dc, ch 1 and dc; ch 1 and work in pattern across, ending with sc in center sp of last shell. Ch 3, turn. Repeat 2nd and 3rd rows alternately until 2 complete shells and one half shell remain. Then work without decreasing until piece measures 7 (7-7½) inches from first row of armhole shaping. Break off. Attach thread to center shell on last complete row and complete other side of neck to correspond, reversing shapings.

FRONT . . . Work exactly as for Back.

Sew up shoulder and underarm seams, leaving 4-inch opening on left side for placket. Attach thread to bottom and sc closely around bottom and placket. Join.

BEADING . . . Ch 7, * skip 1 sc on bottom, tr tr in next sc, ch 1. Repeat from * across bottom, ending with a tr tr. Break off. Lace elastic through beading and sew ends securely.

Sew snap fasteners to opening and hooks and eyes to elastic. Sew binding in place around neck and armholes. Block to measurements.

Irene S-382

Continued from page 12

through, (thread over, insert hook in same ch, draw loop through) 3 times; thread over and draw through all loops on hook, ch 2, sl st in same ch (clones knot made), * 4 sc in next loop, in next loop make 2 sc, a clones knot and 2 sc; 4 sc in next loop, make a clones knot. Repeat from * around. Join and break off.

Working over elastic, attach thread to first sp on opposite side of starting chain, 2 sc in same sp, * in next sp make sc, a clones knot and sc; 2 sc in next sp. Repeat from * around. Join and break off.

Sew up side seams. Sew Yoke in place, leaving an even amount free on each side for cap sleeves. Block to measurements.



Marie C-163 39 inches square (excluding fringe)

Illustrated in Color on Back Cover

Materials: CHADWICK'S RED HEART SOCK AND SWEATER YARN, 3 Ply, SHRINK-AND-STRETCH RESIST FINISH, Art. E.255: 6 skeins (1 oz. "Tangle-Proof" Pull-Out Skeins) of No. 12 Black; and J. & P. COATS "KNIT-CRO-SHEEN," Art. A.64: 2 balls of No. 12 Black . . . Clark's O.N.T. Plastic Crochet Hook No. 4 . . . Milwards Steel Crochet Hook No. 7 . . . A hairpin lace staple, 1 $\frac{1}{4}$ inches wide . . . 364 rhinestones.

GAUGE: 2 loops make 1 $\frac{1}{4}$ inches; 2 rows make 1 $\frac{1}{4}$ inches. Each motif measures 2 $\frac{3}{4}$ inches in diameter.

Starting at center with Sock and Sweater Yarn, and No. 4 hook, ch 7. Join with sl st to form ring. **1st rnd:** (Sc in ring, ch 7) 7 times; sc in ring, ch 3, dc in first sc. **2nd rnd:** * Ch 7, in next loop make sc, ch 7 and sc (1 loop increased at corner); ch 7, sc in next loop. Repeat from * around, ending with ch 3, dc in dc. **3rd to 14th rnds incl:** * Ch 7, sc in next loop. Repeat from * around, making sc, ch 7 and sc in each corner loop and ending with ch 3, dc in dc. Break off at end of 14th rnd.

INSERTION—First Motif . . . Using "Knit-Cro-Sheen" and No. 7 hook, make a strip of hairpin lace, having 32 loops on each side of staple. Break off. Sew ends of hairpin lace together at center. Keeping the twist in all loops, attach thread through first 2 loops at center of motif, sl st in same place, * sl st through next 2 loops. Repeat from * around. Join and break off.

OUTER EDGE . . . Still keeping the twist in all loops, attach thread to first loop, sc in same place, ch 8, sl st in any corner loop on center of stole, ch 7, sl st in 2nd ch of ch-8, ch 1, sc in next loop, (ch 3, sc in next loop) 3 times; ch 1, skip 2 loops on center of stole, sl st in next loop, ch 1, sc in next loop on motif, (ch 3, sc in next loop) 3 times; ch 8, skip 2 loops on center, sl st in next sc, ch 7, sl st in 2nd ch of ch-8, ch 1, sc in next loop on motif, * (ch 3, sc in next loop) 7 times; ch 15, sl st in 2nd ch of ch-15, ch 1, sc in next loop. Repeat from * once more, (ch 3, sc in next loop) 6 times; ch 3, sl st in first sc. Break off.

SECOND MOTIF . . . Work as for First Motif until center of motif has been completed.

OUTER EDGE . . . Keeping the twist in all loops, attach thread to first loop, sc in same place, ch 8, sl st in the first free ch-15 loop made on First Motif, ch 7, sl st in 2nd ch of ch-8, ch 1, sc in next loop on Second Motif, (ch 3, sc in next loop) 3 times; ch 1, sl st in corresponding loop on First Motif, ch 1, sc in next loop on Second Motif, (ch 3, sc in next loop) 3 times; ch 8, sl st in next joining on center, ch 7, sl st in 2nd ch of ch-8, ch 1, sc in next loop on Second Motif, (ch 3, sc in next loop) 3 times; ch 1, skip 2 loops on center, sl st in next loop, ch 1, sc in next loop on motif, (ch 3, sc in next loop) 3 times; ch 8, skip 2 loops on center, sl st in next sc, ch 7, sl st in 2nd ch of ch-8, ch 1, sc in next loop. Complete rnd (no more joinings).

Make another motif, joining to preceding motif and

center as before (last joined loop is joined to corner loop on center).

CORNER MOTIF . . . Work as before until center of motif has been completed.

OUTER EDGE . . . Attach thread to first loop, sc in same place, ch 8, sl st in first ch-15 loop made on preceding motif, ch 7, sl st in 2nd ch of ch-8, ch 1, sc in next loop on motif, (ch 3, sc in next loop) 3 times; ch 1, sl st in corresponding loop on preceding motif, ch 1, sc in next loop on corner motif, (ch 3, sc in next loop) 3 times; ch 8, sl st in next joining on center, ch 7, sl st in 2nd ch of ch-8, ch 1, sc in next loop, * (ch 3, sc in next loop) 7 times; ch 15, sl st in 2nd ch of ch-15, ch 1, sc in next loop. Repeat from * once more, (ch 3, sc in next loop) 6 times; ch 3, sl st in first sc. Break off.

Make another motif, joining to corner motif and next side of center as before. Make 2 more motifs, joining to preceding motif and center the same way. Complete other sides and corners to correspond.

LOOP INSERTION . . . 1st rnd: Attach yarn to free ch-15 loop on any corner motif, sc in same loop, * ch 9, skip 3 loops on motif, sc in next loop, ** ch 9, sc in next joining, ch 9, skip 3 loops on next motif, sc in next loop. Repeat from ** to corner motif, ending with sc in joining, ch 9, skip 3 loops on motif, sc in next loop, ch 9, sc in next ch-15 loop. Repeat from * around. **Join. 2nd rnd:** In same place as sl st make sc, ch 7 and sc; * ch 7, skip 3 ch, sc in next ch, ch 7, skip 3 ch, sc in next sc, (ch 7, skip 3 ch, sc in next ch) twice; ch 7, skip next ch, next sc and next ch, sc in next ch. Repeat from * around, making sc, ch 7 and sc in each corner sc, ending with ch 4, dc in first sc. **3rd to 18th rnds incl:** * Ch 7, sc in next loop. Repeat from * around, making sc, ch 7 and sc in each corner loop, ending with ch 4, dc in dc. Break off at end of 18th rnd.

Make another rnd of motifs as before, having 9 motifs on each side.

BORDER . . . Work as for Loop Insertion until 17 rnds have been completed.

Sew 5 rhinestones to each motif and a rhinestone to each joining.

FRINGE . . . Cut 8 strands of yarn, each 10 inches long. Make a fringe in every other loop around. Knot fringes. See page 15.

Esther

S-384

Continued from page 10

SECOND MOTIF . . . Work as for First Motif until 2nd rnd has been completed. **3rd rnd:** Sl st to center of next loop, ch 3, dc in same loop, ch 5, make a tr-cluster in next loop, ch 2, sl st in corresponding sp on First Motif, ch 2, tr-cluster in same loop on Second Motif, ch 2, sl st in corresponding sp on First Motif, ch 2, dc-cluster in next loop on Second Motif) twice. Complete rnd, joining next 2 loops the same way.

BODICE . . . Make 8 rows of 26 motifs for Size 12; 8 rows of 28 motifs for Size 14 and 9 rows of 29 motifs for Size 16, joining adjacent sides as Second Motif was joined to First Motif (where 4 corners meet, join 3rd and 4th corners to joining of previous 2 corners).

SKIRT . . . Make 24 rows (in the length) of 47 motifs for Size 12; 24 rows of 49 motifs for Size 14 and 25 rows of 51 motifs for Size 16, joining last motif on each row to first motif on same row, leaving 5 motifs free at one end to form placket. Gather front of skirt slightly to fit bodice and make a double pleat at back. Sew to bodice.

Sew seam binding around joining of Skirt and Bodice. Attach thread to bottom of placket opening and sc closely around placket, top of Bodice and other side of placket. Join and break off. Sew in zipper. Sew up remainder of Bodice above zipper.

STRAP (Make 2) . . . Make a strip of 12 motifs or number of motifs for length desired. Sc closely around. Join and break off. Sew straps in place.

Sc closely around bottom of skirt. Join and break off. For Belt, mark off length of ribbon to reach around waist. Sew remaining ribbon to form loops and sew in place. Sew hooks and eyes in place on belt. Block to measurements.

Velveteen Stole Page 8

Materials: J. & P. COATS or CLARK'S O.N.T. MERCERIZED SEWING THREAD, Art. A. or B. 3 . . . Velveteen, 1 1/8 yards, 36 inches wide . . . Taffeta, 2 yards, 36 inches wide.

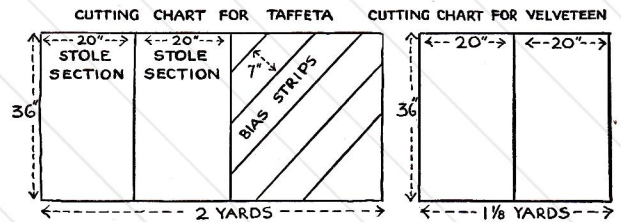
CUTTING: Follow diagram for each fabric.

TO MAKE: 1. Sew taffeta sections together, allowing a 3/4 inch seam. Press seams open. Sew velveteen sections together, making sure the nap runs the same way.

2. With right sides facing, pin the two fabrics together. Stitch 1/2 inch in from edges, leaving a 10-inch opening as shown. Turn right side out. Slip stitch opening together. Press edges on taffeta side.

3. **Bow**—Sew bias strips to make a strip 60 inches long. Make a narrow hem around three sides. Fold into loops and gather at top edge through all thicknesses as shown.

4. Gather one end of stole to measure 2 inches. Sew bow to gathered end of stole. Cut a piece of taffeta 3 x 5 inches. Fold lengthwise. Place around joining and slip stitch ends as shown.



Abbreviations for Crochet and Knitting

- ch chain
- sc single crochet
- half dc half double crochet
- dc double crochet
- tr treble
- d tr double treble
- tr tr triple treble
- sl st slip stitch
- sp space
- bl block
- rnd round
- incl inclusive
- O yarn over
- st stitch
- k knit
- p purl
- inc increase
- dec decrease

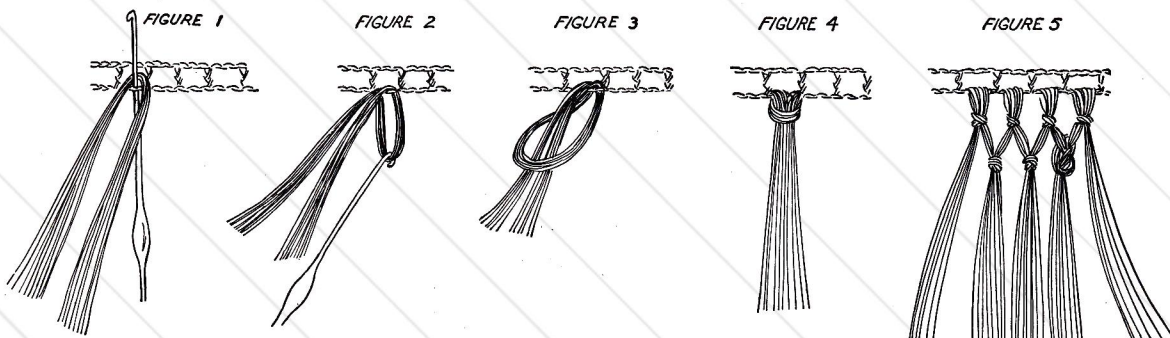
* (asterisk) . . . Repeat instructions following asterisk as many times as specified.

Repeat instructions in parentheses as many times as specified. For example: "(Ch 1, skip 1 sc, dc in next sc) 15 times" means to make whatever is in parentheses 15 times in all. Also, "(Sl 1, k 1, p.s.s.o.) twice" means to make whatever is in parentheses 2 times in all.

How to Make Fringe

Plain Fringe: Cut material as specified. Double these strands to form a loop (Fig. 1). Insert hook (Fig. 1) where directed and draw loop through (Fig. 2). Draw loose ends through loop (Fig. 3) and pull up tightly to form a knot (Fig. 4). Trim ends evenly.

Knotted Fringe: Make a Plain Fringe (Figs. 1-4). Pick up half of the strands of the first fringe and half of the strands of the second fringe and make a knot (Fig. 5) 1 inch down and in the center between 2 previous knots. Pick up remaining strands of second fringe and first half of the strands of next fringe and knot as before. Continue in this manner around. Trim ends evenly.



FESTIVE Stoles

and BLOUSES

